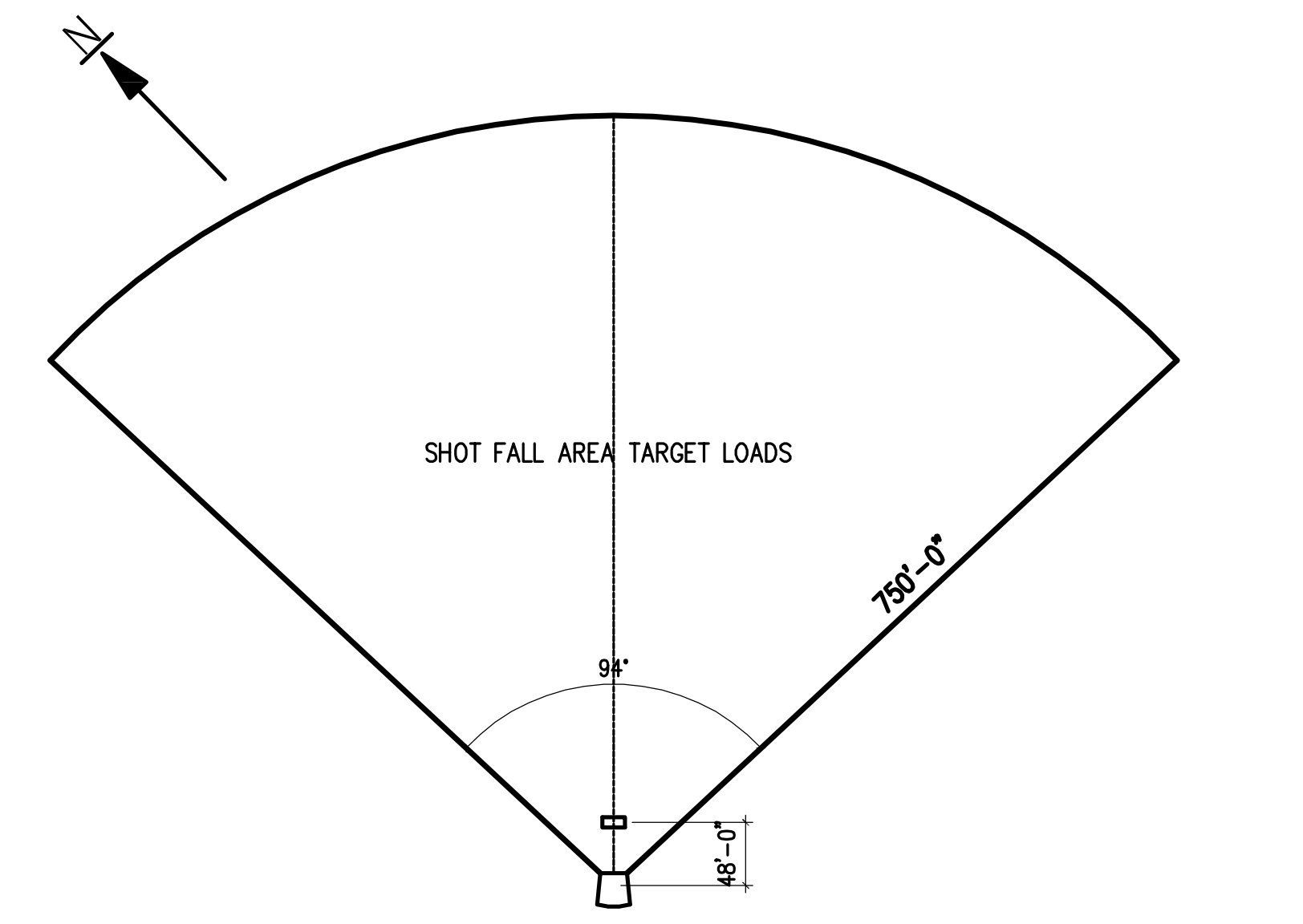
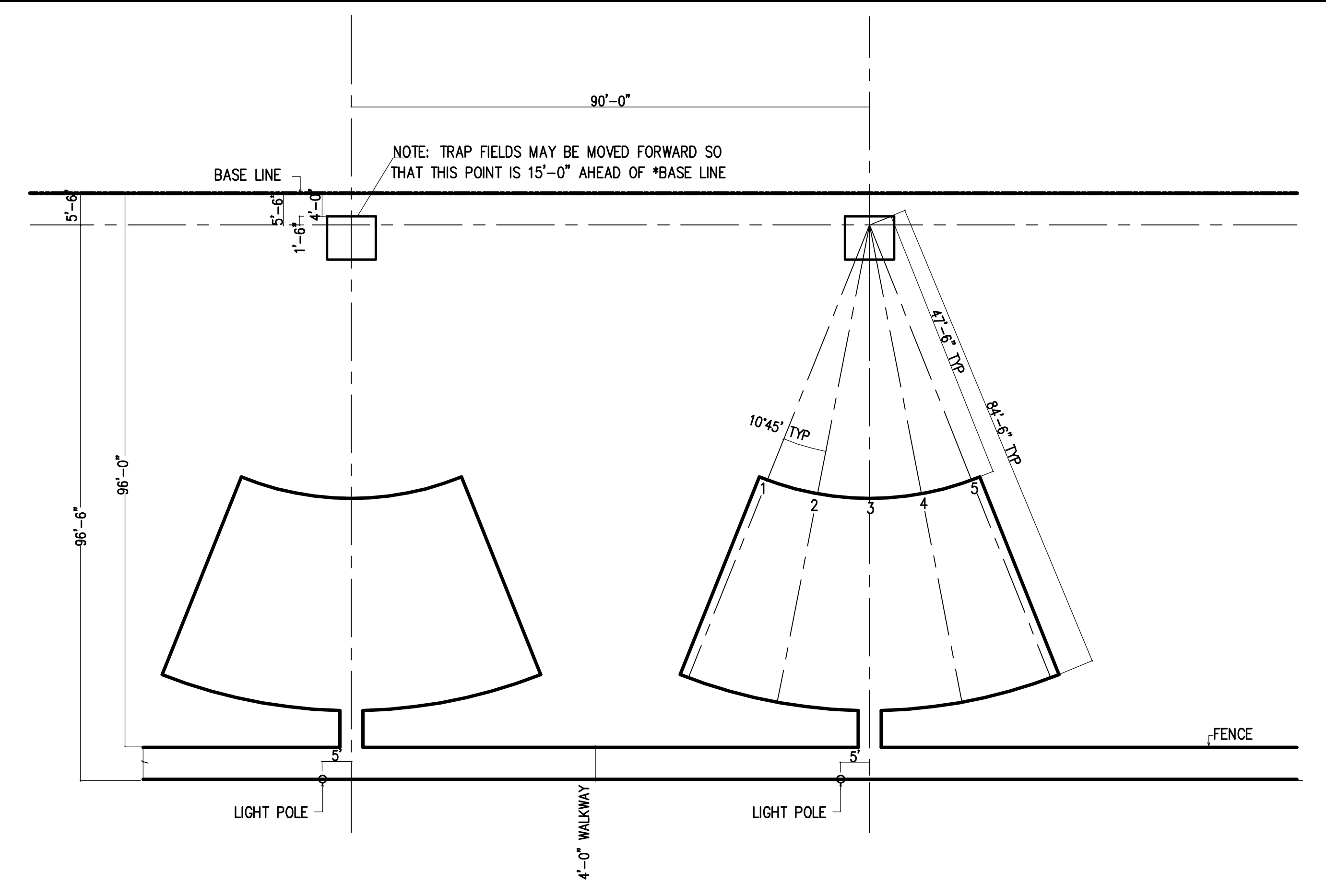


TRAP FIELD LAYOUT

\* LOCAL OPTION TO DECIDE ON RADIUS OR SQUARE CORNERS  
 DIMENSIONS IN RECTANGLES MUST BE MAINTAINED PER ATA RULES

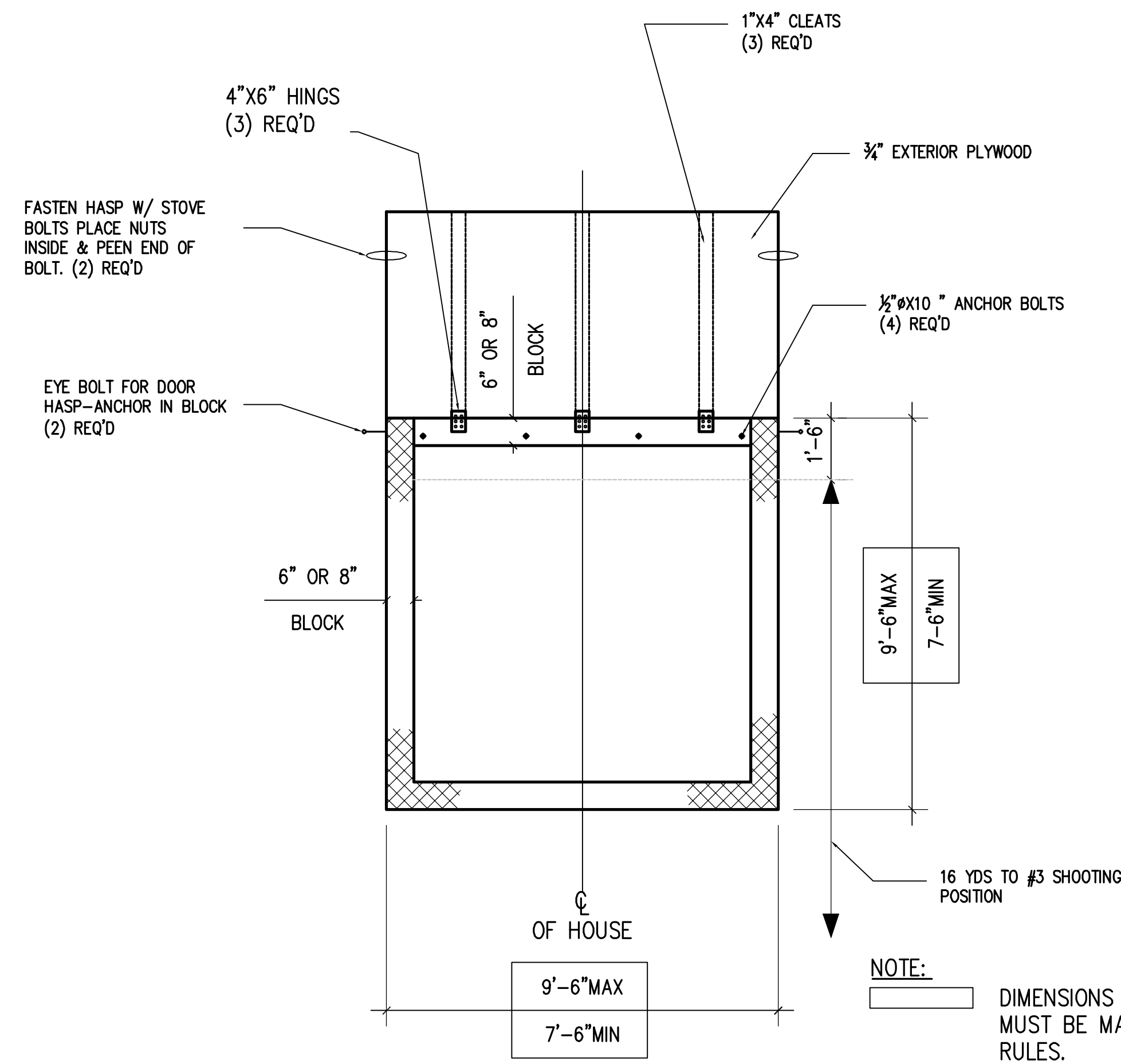


SHOT FALL AREA FOR TRAP FIELD

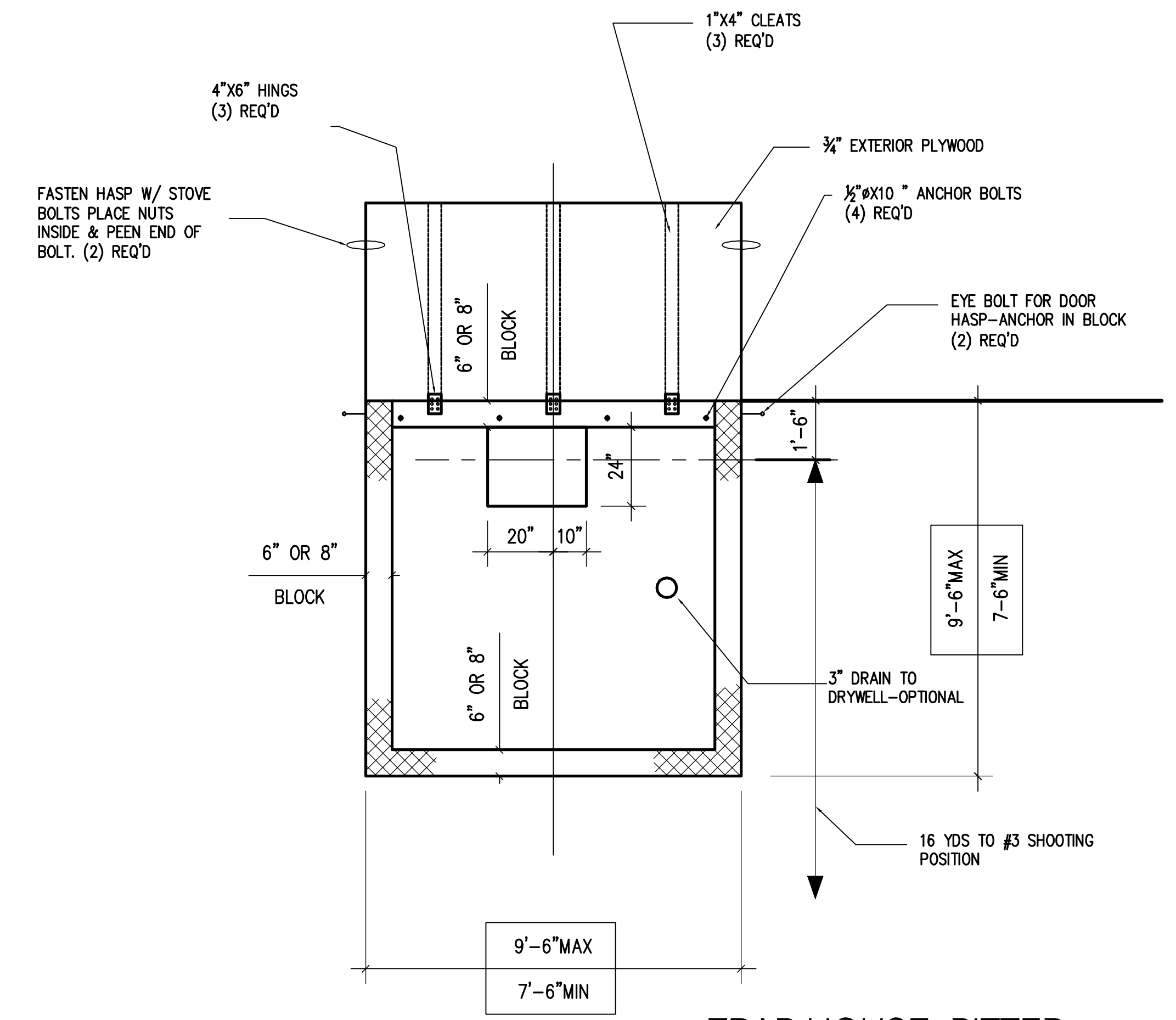
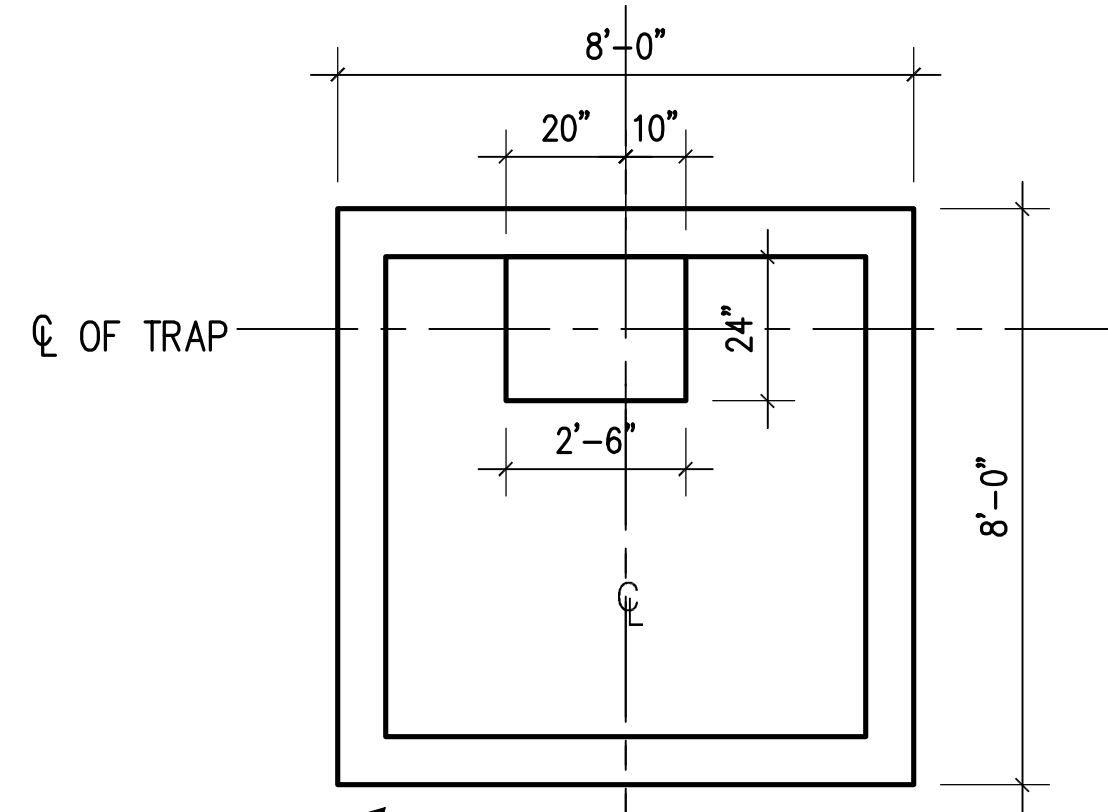
**GOLDEN WEST INDUSTRIES**  
 750 ARROYO AVE. SAN FERNANDO, CA. 91340  
 TELEPHONE NO. (818) 365 3946

**TRAP HOUSE**

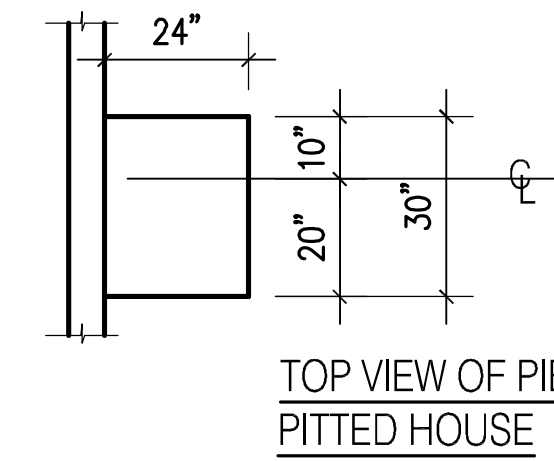
SCALE: NONE	DR BY: MC DRAFTING SERVICES INC	REVISED	DR NO.
SHEET: 1 OF 2	DATE: 02-09-10		GWD15



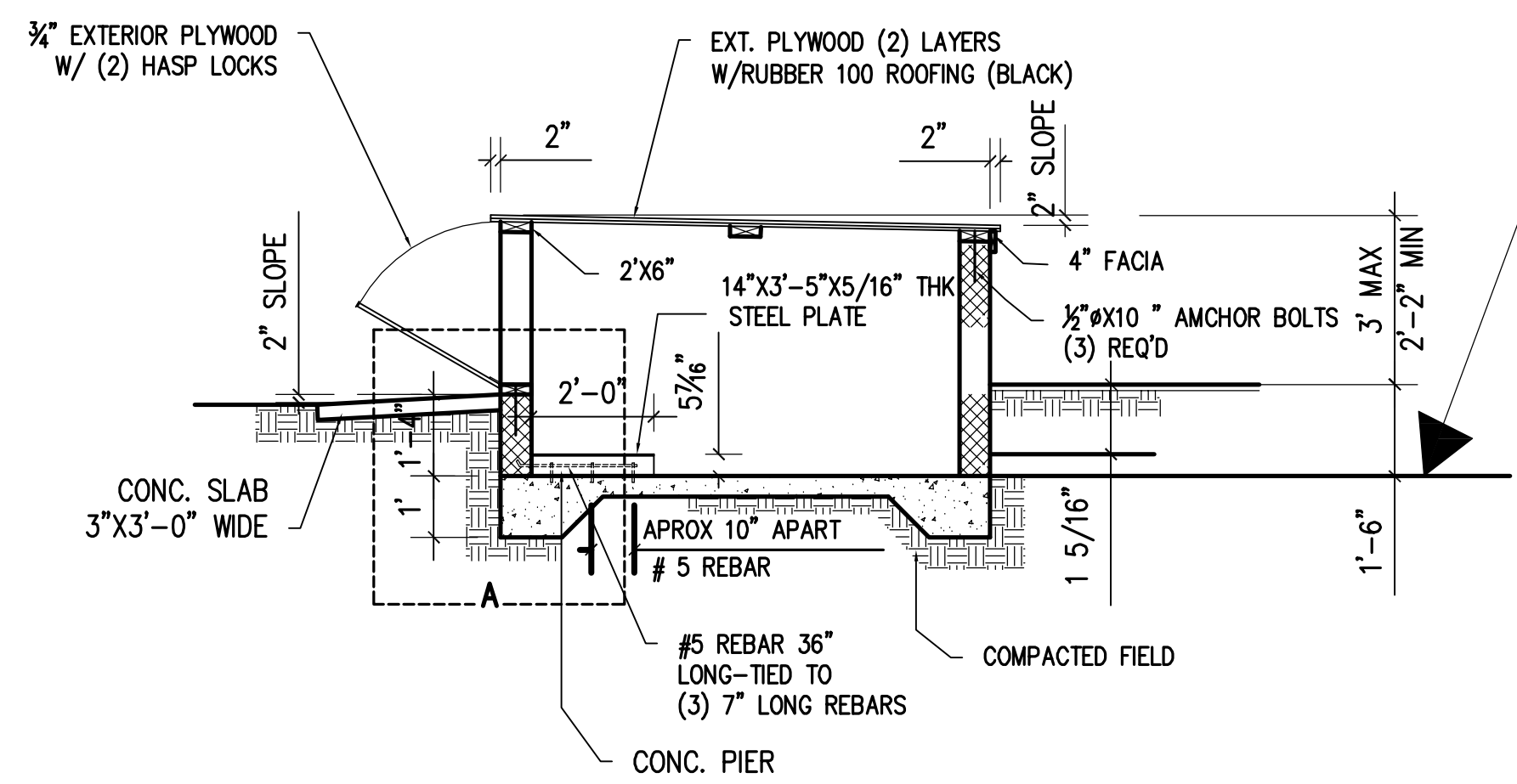
TRAP HOUSE - NON - PITTED



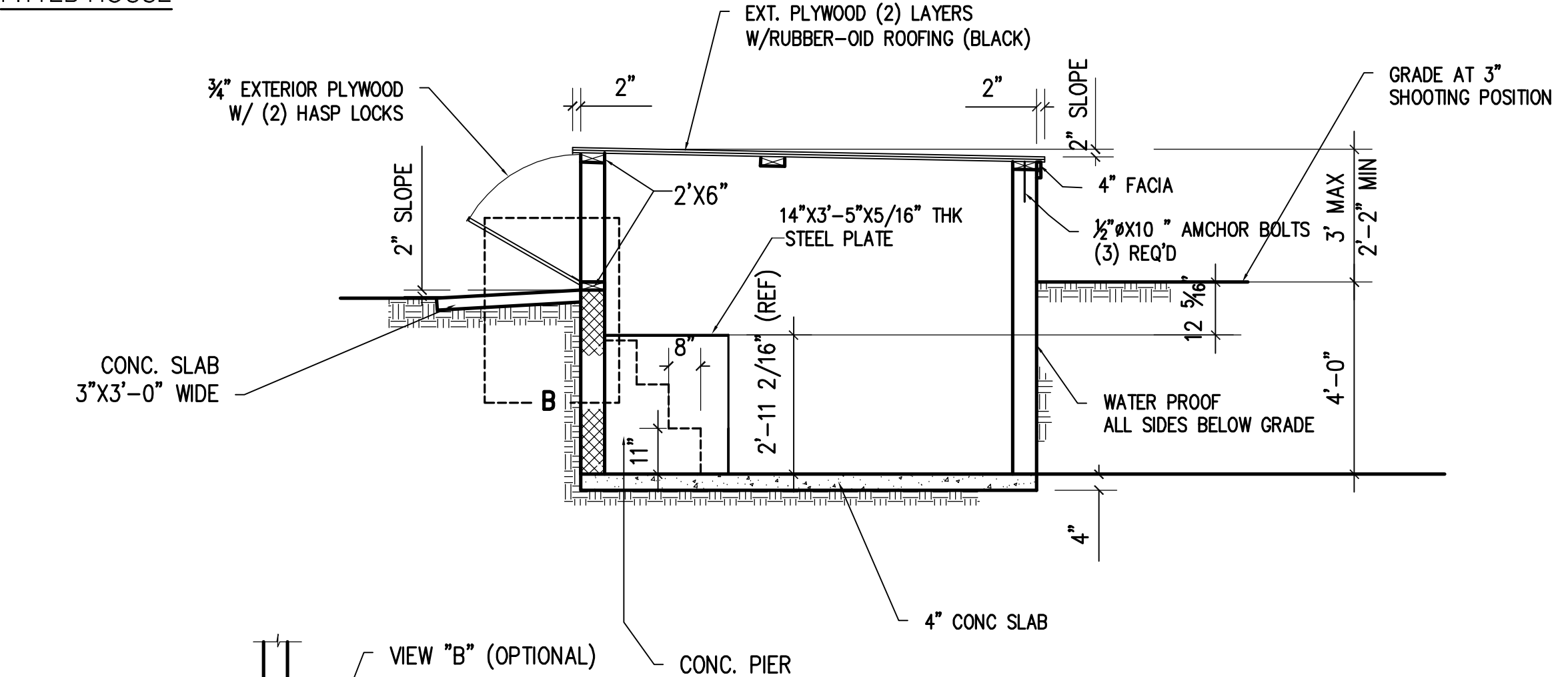
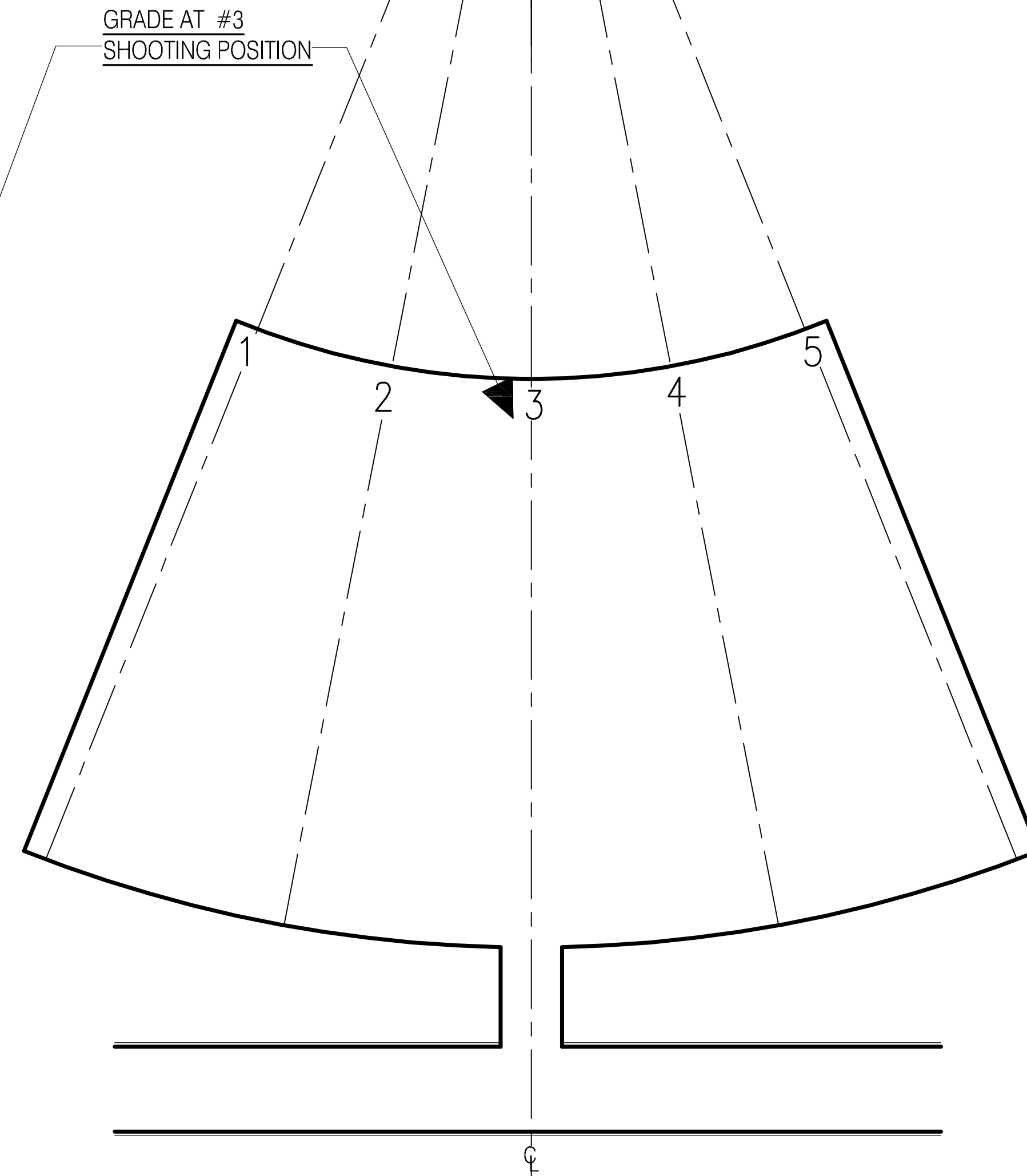
TRAP HOUSE PITTED



TOP VIEW OF PIER PITTED HOUSE



VIEW "A" (OPTIONAL) REBAR - SAME AS NON-PITTED TRAP HOUSE



VIEW "B" (OPTIONAL)

**GOLDEN WEST INDUSTRIES**  
 750 ARROYO AVE. SAN FERNANDO, CA. 91340  
 TELEPHONE NO. (818) 365 3946

**TRAP HOUSE**

SCALE: NONE	DR BY: MC DRAFTING SERVICES INC	REVISED	DR NO.
SHEET: 2 OF 2	DATE: 02-09-10		GWD15