



The PAT-TRAP®

NEVER STAND IN FRONT OF A TRAP MACHINE. THE TRAP MACHINE MUST BE TURNED OFF AND THE SPRING RELEASED BEFORE ENTERING THE TRAP HOUSE. NEVER ATTEMPT TO MAKE ANY ADJUSTMENT WHILE THE THROW ARM IS COCKED.

DO NOT TOUCH! -- ASK FOR HELP

NEVER ATTEMPT TO LOAD THE TRAP WHEN IT IS COCKED. ALWAYS RELEASE THE TARGET FROM THE TRAP MACHINE.

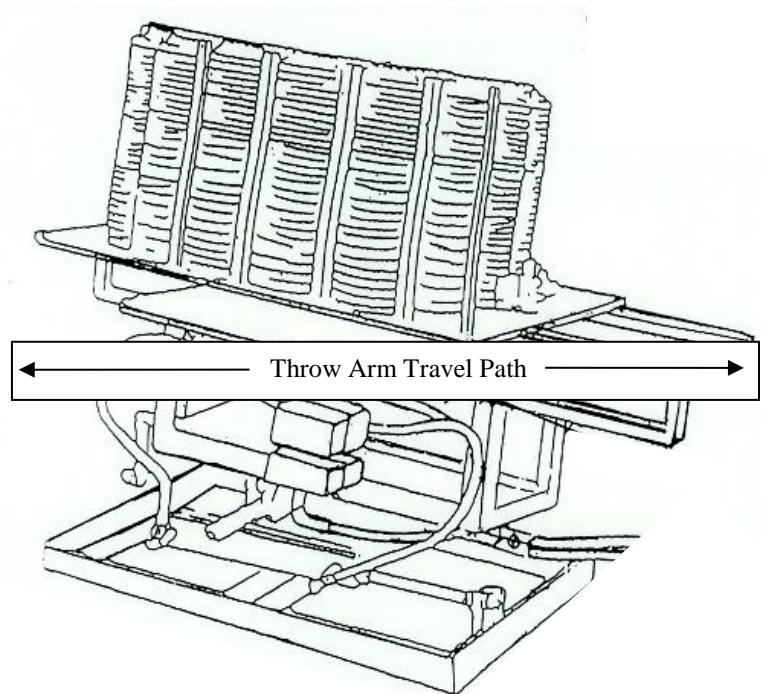
NEVER ADVANCE THE THROW ARM BY HAND WHEN THE ON/OFF/RELEASE SWITCH IS IN THE ON POSITION. THIS MAY DAMAGE THE MACHINE.

The target throw arm extends 4" beyond the throw plate. Keep away from moving parts. Never stand in front of the trap machine.

When the machine is turned ON the throw arm will travel forward to the cocked position through the danger zone.

When the throw arm is fired, the arm will travel through the indicated danger area zone.

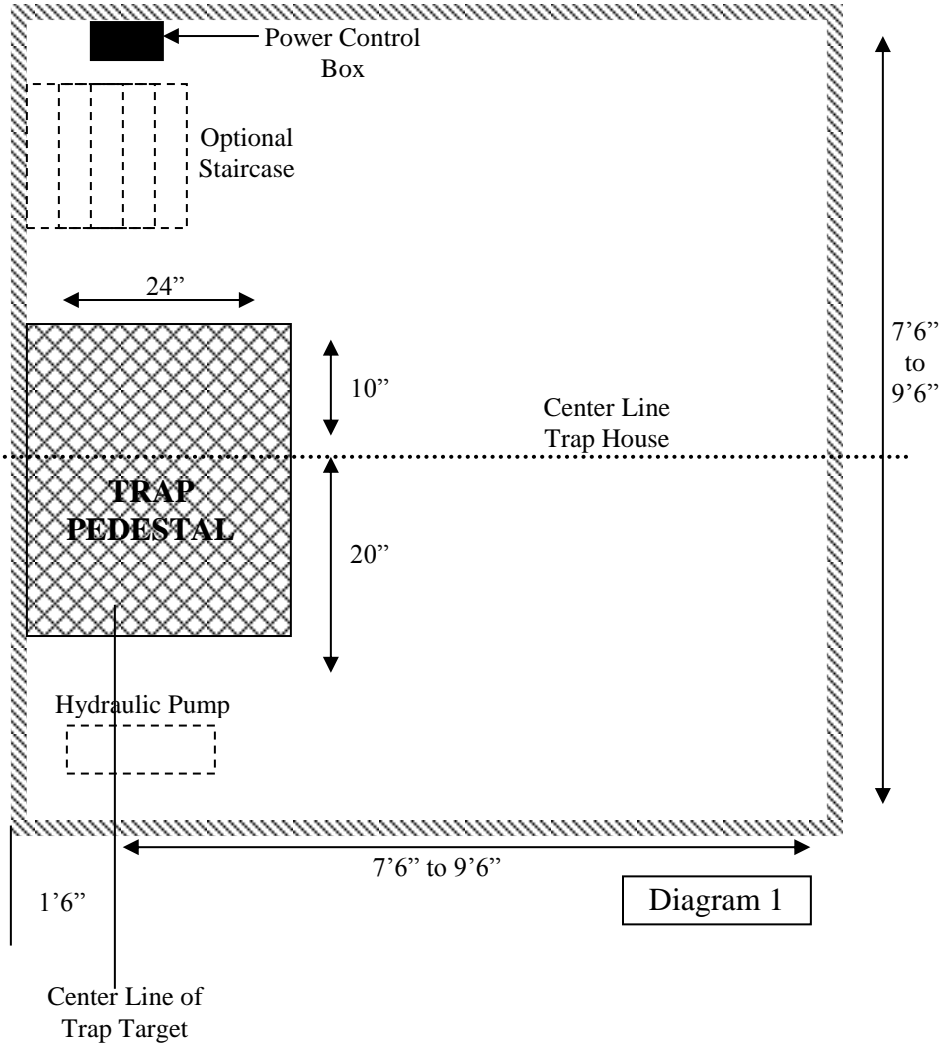
The throw arm can be fired by pushing the pullcord button. It can also be fired by hand; by pushing the arm forward off the brake when the machine is either On or Off.





Top-Down Suggested Plan View of Trap House

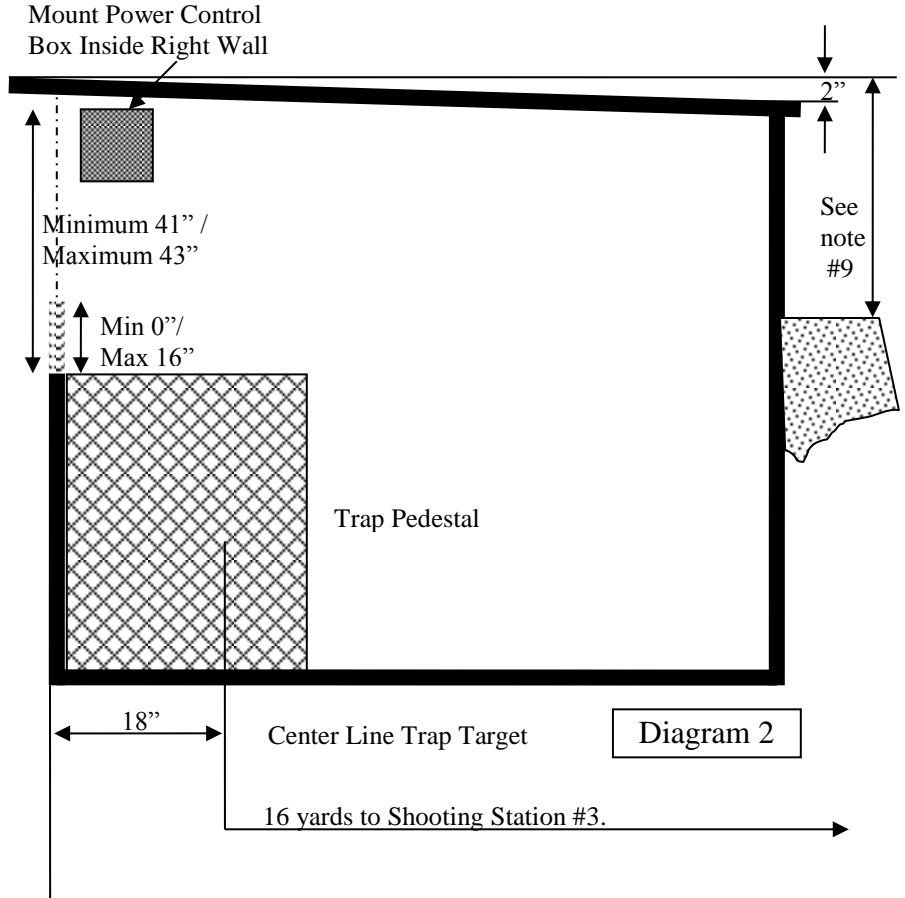
1. Water proof all sides below ^{4"} grade.
2. Open front trap houses are preferred if grade allows it.
3. All Walls and Roof are shown as 4" thickness.
4. Reinforce concrete per local building codes.
5. Install drainage as required.
6. Trap House Door should be weather proof and can be locked.
7. Trap House length in not less than 7'6" or more than 9'6" per ATA.
8. Trap House width is not less than 7'6" or more than 9'6" per ATA.





Side View (Cross Section) of Trap House

1. Paint Roof and Rear Wall Green.
2. Water Proof All Sides Below Grade.
3. Open Front Trap Houses are preferred if grade permits. Trap house opening is a minimum of 26" to a maximum of 43". Wall minimum of 0" from top of pedestal to a maximum of 16" from top of pedestal.
4. All Walls and Roof are shown as 4" Thick.
5. Reinforce Concrete Per Local Building Codes.
6. Install Drainage as Required.
7. Trap House Door Should be Weather Proof and Capable of Being Locked.
8. Trap House Length is Not Less Than 7'6" or More Than 9'6"
9. Trap House Height is 2'2" Minimum and 3'0" Maximum from Shooting Station #3.



For Complete Rules: See Amateur Trapshooting Association Official Rules Section XIII Standards for Trap Houses, Targets, Target Settings, Guns and Ammunition.



Installation of the Trap Machine and Hydraulic Pump

1. Place the trap machine in the trap house with the front of the machine as close as possible to the front wall. The platform which the trap sits on *must be level*. See Diagram 2. If necessary, the turret may be removed from the machine to place the trap into the house. Please refer to page 6 for instructions.
2. The trap is to be set *off center* of the trap house. See Diagram 1.

Measure and mark the center of the trap house. The front of the base is marked with a notch at 10” in from the left – facing the front of the machine. Set the machine so that this notch is now at the center of the trap house. The base of the trap machine should be set at 41” minimum from the ceiling; however, a setting of approximately 43” is best for loading targets.

3. Holes are provided in the corners of the base to screw down/secure your machine.
4. Place the pump on a raised platform (ie: a cinder block and you may place a foam or rubber pad underneath to reduce vibration is desired) on the left side of the trap house. See Diagram 1. If flooding is a problem in your area then mount the pump on a platform that is above the water line. The pump reservoir is filled at the factory with **5W-20** oil.



Hydraulic Pump System

Diagram 3

5. If not already connected, connect the quick release fittings from the pump hydraulic hoses to the hoses at the rear of the trap machine; slide back the outer sleeve of the female fitting while pushing on to the male fitting. Allow the female sleeve to slide forward to lock. Gently tug on the connections to check that they are securely fastened.



PAT-TRAP, Inc.

632 Western Avenue • Henniker, New Hampshire 03242 • Tel. (603) 428-3396 • Fax (603) 428-7340

Choice of the ATA

PAT-TRAP® SERIAL NUMBER LOCATION

A fully crated Pat-Trap is 420 #.
 Machine and pump weighs 350 #.
 Turret weigh 50 #.
 Pump weight 50 #.
 Pat-Trap machine w/o pump and
 turret weight 250 #.

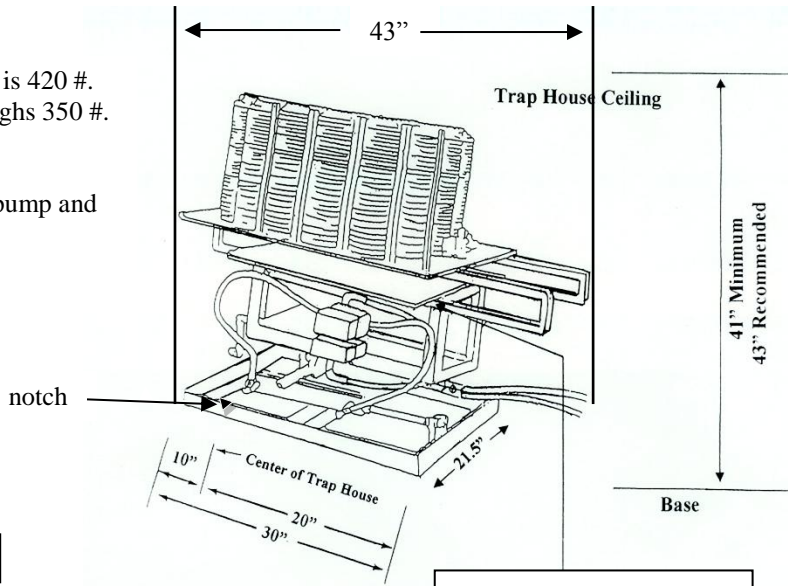


Diagram 4

The Serial Number is stamped on the edge of the 1/4" steel plate.

Measurements of the Pat-Trap machine

- From the bottom of the base to the top of the King Pin 24"
- From the bottom of the base to the top of the turret 34 3/4"
- Trap cog top max – 39 1/2"
- Trap cog bottom min – 37"
- Wobble base to throw plate (up/down angles) min 17 3/4"
- Wobble base to throw plate (up/down angles) max 24 1/2"
- Wobble max – 39 1/2"
- Wobble Min – 34 3/4"

Base Dimensions of PAT-TRAP®



Serial Number is stamped here.
 Example: "G4190"
 Also located on pump.

Diagram 5

PAT-TRAP® Serial Number Location

Serial Number Location: The Serial Number is stamped on the front left edge (shooting stand 1 Side) of the 1/4" thick steel "Throw Plate".



REMOVAL/REPLACEMENT OF THE TURRET

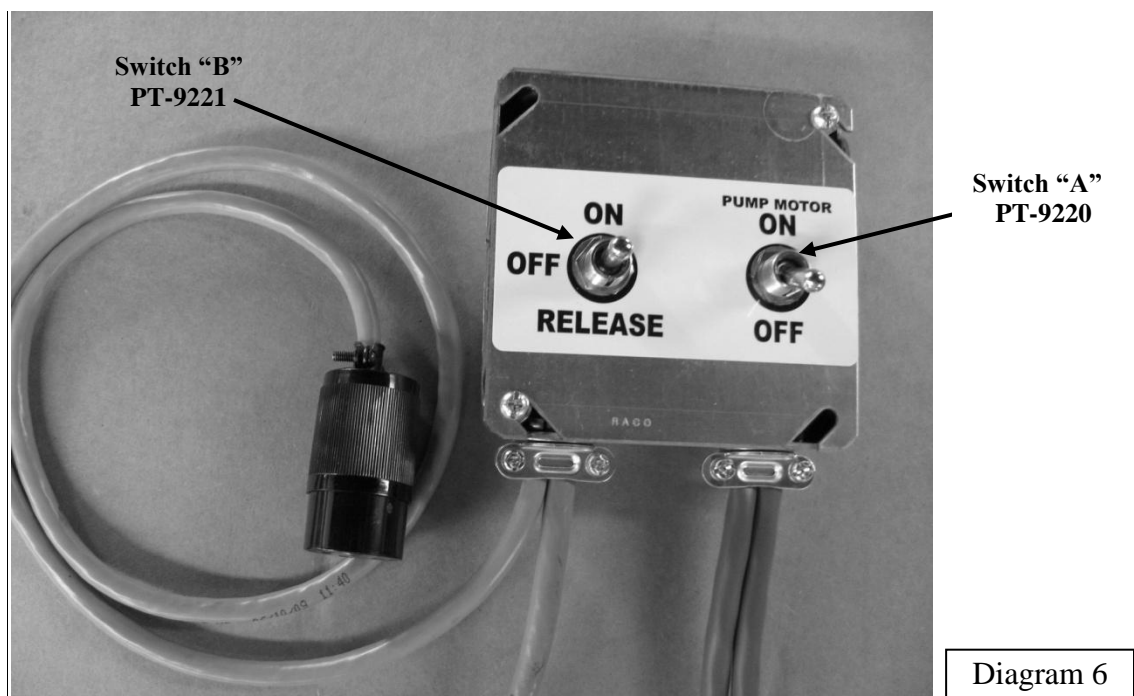
WARNING: To prevent damage to your machine the turret must be replaced the same way as it was removed.

1. Observe how the cogs are meshed with the cam followers: i.e., the pair of cam followers has to mesh within the cogs located beneath the turret.
2. To remove the turret, have two people, one on each side of the trap machine, lift straight up (no tools are required). Both people must lift up evenly to prevent the turret from binding on the kingpin. Replace the turret in the same way that it was removed.

MOUNTING THE POWER CONTROL BOX

1. Mount the power control box just inside the trap house on the right wall near the ceiling of the trap house (See Diagrams 1). This should be the side of the trap where personnel enter/exit the trap house. The power control box should be easily accessible so that it can be operated by placing your hand around the corner of the wall and not exposing your body to the front of the trap machine. The power control box will also be accessible to trap personnel when setting the machine for Doubles. Proper location of the control box is important to insure safety.

NEVER STAND IN FRONT OF A TRAP MACHINE. THE TRAP MACHINE MUST BE TURNED OFF AND THE SPRING RELEASED BEFORE ENTERING THE TRAP HOUSE. NEVER ATTEMPT TO MAKE ANY ADJUSTMENT WHILE THE THROW ARM IS COCKED.



Close Up of Pat-Trap® Power Control Box (PT SP80)



CONNECTING THE TRAP TO THE POWER SOURCE

1. Check the power control box to confirm that the *motor* and the *on/off/release* switches are in the **OFF** position. When both toggle switches are snapped downward they are in the OFF position (Diagram 6).
2. Connect the pump to the power control box by plugging the pump motor outlet coming from the power control box.
3. The trap machine uses 110 volt AC power. Connect the trap machine to the power source using the male plug from the power control box.
4. Connect the pullcord to the female connector from the power control box. The pullcord must have a male twist lock connector (Winchester type pullcord).



Diagram 7

Pull Cord Complete
P/N9320
Or
Voice Release
Connection

Male and Female
Power Cord
P/N SP82

Male to 110AC Power

Female