



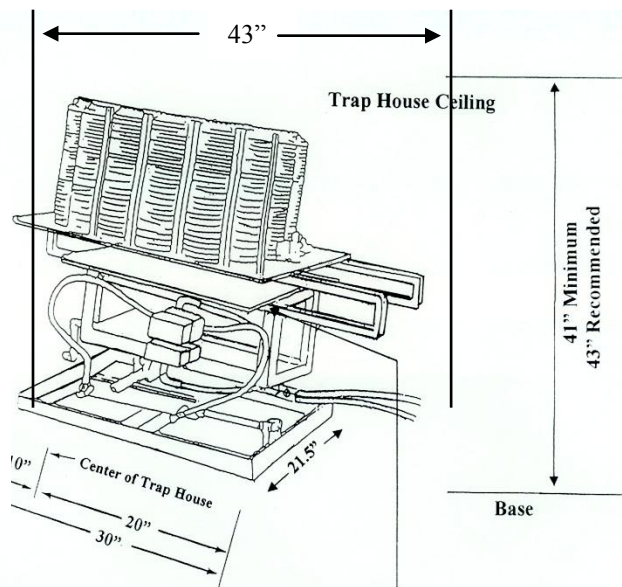
# PAT-TRAP, Inc.

**\*Choice of the ATA\***

632 Western Avenue • Henniker, New Hampshire 03242 • Tel. (603) 428-3396 • Fax (603) 428-7340

## PAT-TRAP® SERIAL NUMBER LOCATION

A fully crated Pat-Trap is 420 #.  
Machine and pump weighs 350 #.  
Turret weighs 50 #.  
Pump weighs 50 #.  
Pat-Trap machine w/o pump or turret weighs 250 #.



The Serial Number is stamped on the edge of the 1/4" steel plate.

Diagram 4

## Base Dimensions of PAT-TRAP®



Serial Number is stamped here.  
Example: "G4190"

Diagram 5

## PAT-TRAP® Serial Number Location

Serial Number Location: The Serial Number is stamped on the left edge of the 1/4" thick steel "Throw Plate".