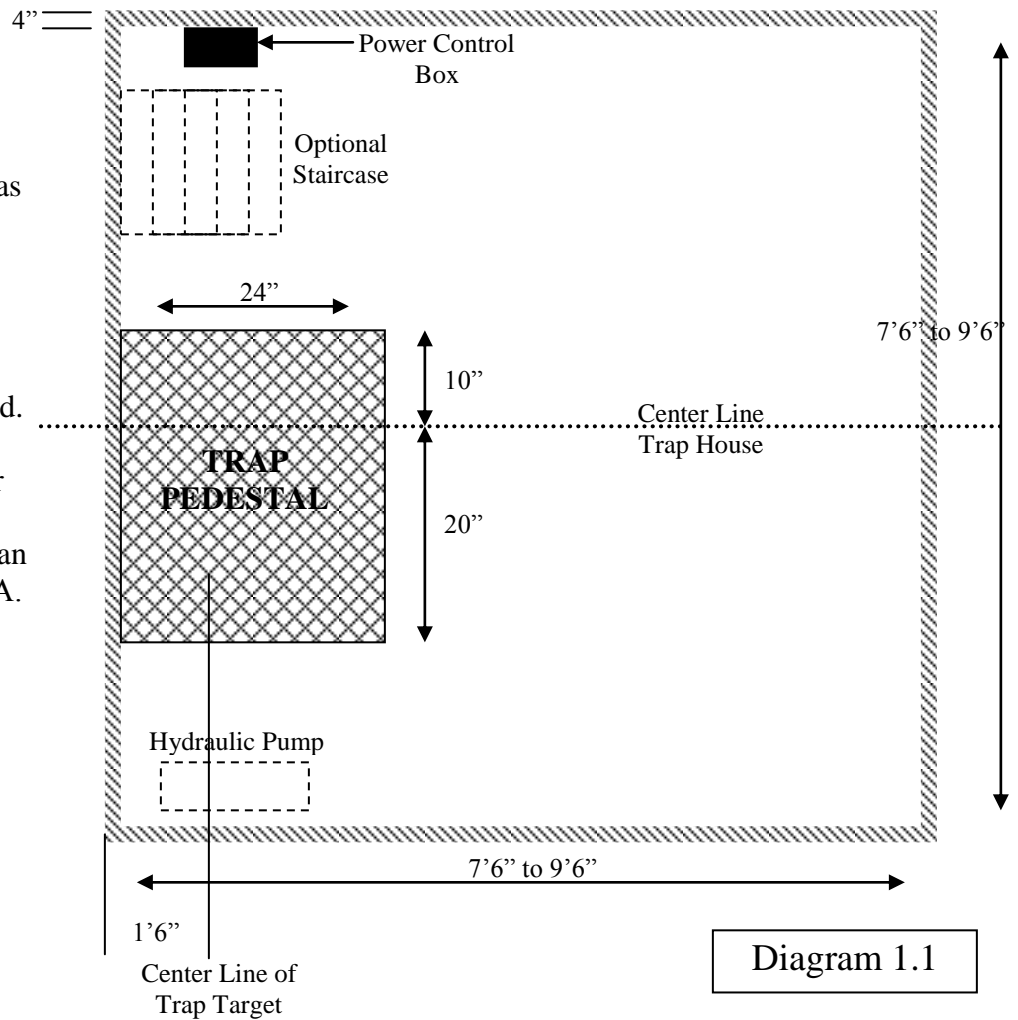




**Top Down Suggested Plan View of Trap House**

For Complete Rules: See Amateur Trapshooting Association Official Rules Section XIII Standards for Trap Houses, Targets, Target Settings, Guns and Ammunition.

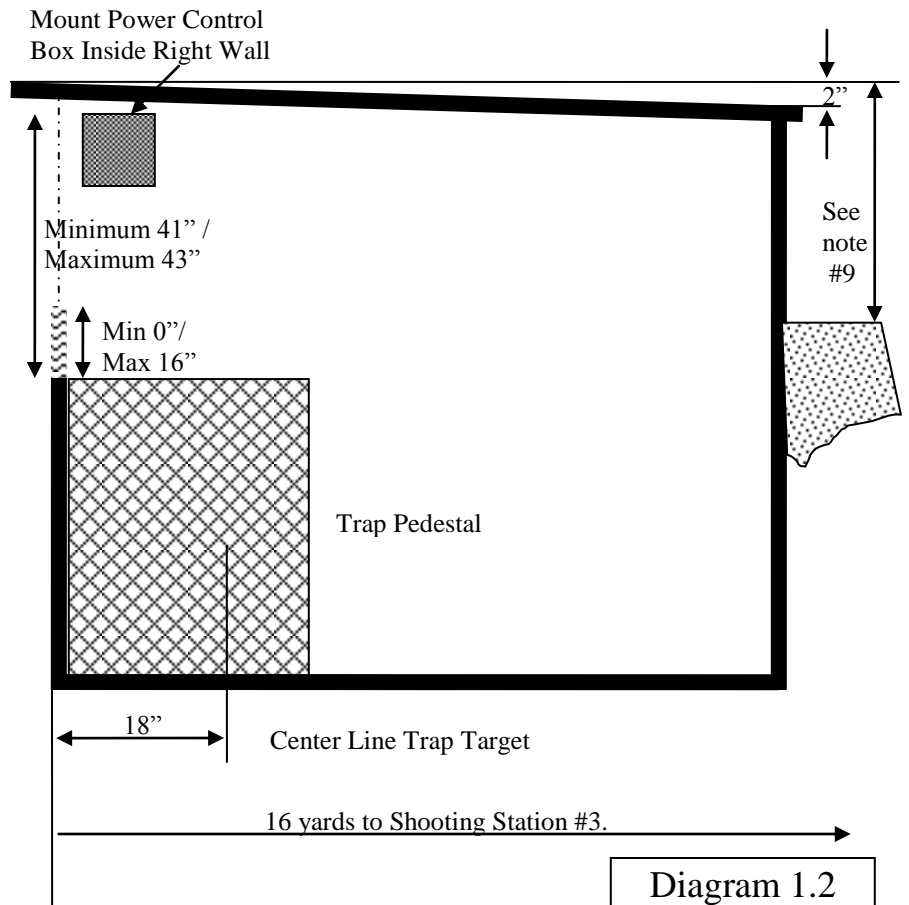
1. Water proof all sides below grade.
2. Open front trap houses are preferred if grade allows it.
3. All Walls and Roof are shown as 4" thickness.
4. Reinforce concrete per local building codes.
5. Install drainage as required.
6. Trap House Door should be weather proof and can be locked.
7. Trap House length is not less than 7'6" or more than 9'6" per ATA.
8. Trap House width is not less than 7'6" or more than 9'6" per ATA.





**Side View (Cross Section) of Trap House**

1. Paint Roof and Rear Wall Green.
2. Water Proof All Sides Below Grade.
3. Open Front Trap Houses are preferred if grade permits. Trap house opening is a minimum of 26" to a maximum of 43". Wall minimum of 0" from top of pedestal to a maximum of 16" from top of pedestal.
4. All Walls and Roof are shown as 4" Thick.
5. Reinforce Concrete Per Local Building Codes.
6. Install Drainage as Required.
7. Trap House Door Should be Weather Proof and Capable of Being Locked.
8. Trap House Length is Not Less Than 7'6" or More Than 9'6"
9. Trap House Height is 2'2" Minimum and 3'0" Maximum from Shooting Station #3.

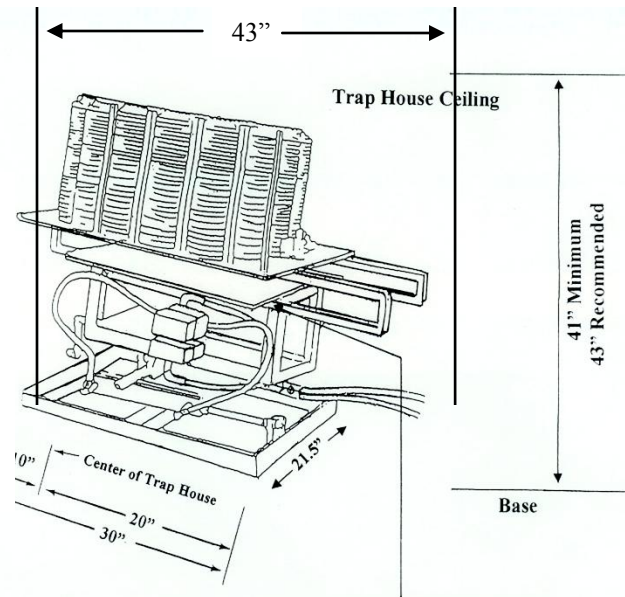


**Diagram 1.2**



### PAT-TRAP® SERIAL NUMBER LOCATION

A fully crated Pat-Trap is 420 #.  
Machine and pump weighs 350 #.  
Turret weighs 50 #.  
Pump weighs 50 #.  
Pat-Trap machine w/o pump or turret weighs 250 #.



The Serial Number is stamped on the edge of the 1/4" steel plate.

Diagram 4

### Base Dimensions of PAT-TRAP®



Serial Number is stamped here.  
Example: "G4190"

Diagram 5

### PAT-TRAP® Serial Number Location

Serial Number Location: The Serial Number is stamped on the left edge of the 1/4" thick steel "Throw Plate".