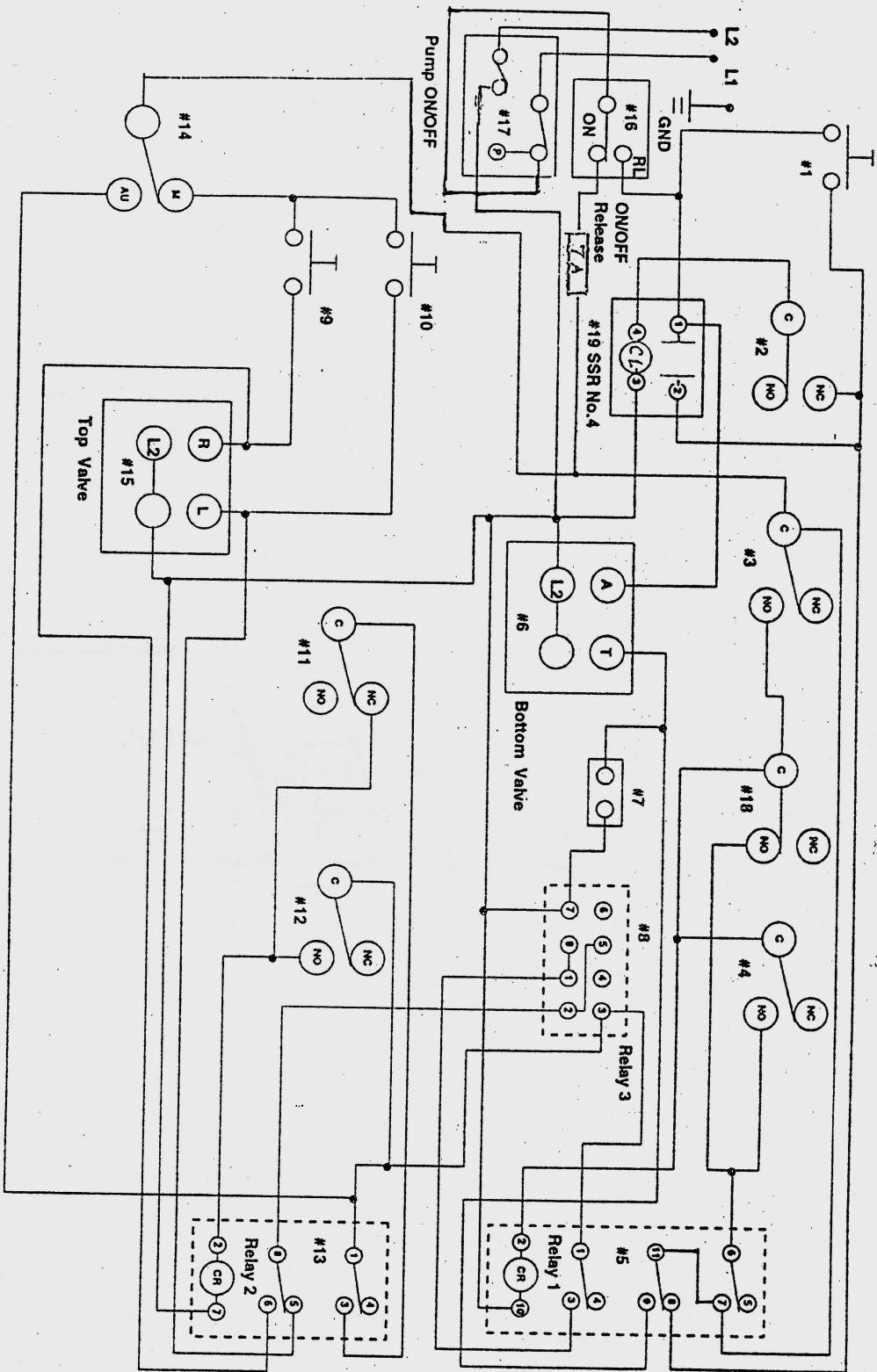


Pullcord Switch



Machine is on and ready to throw:

- #1 pullcord switch #1
- #2 throw arm limit switch #2
- #3 turrett activator switch #3
- #4 turrett deactivator switch #4
- #5 throw arm turrett relay #1
- #6 throw arm turrett valve
- #7 counter
- #8 interrupter/timer Relay 3
- #9 manual right-angle
- #10 manual left-angle
- #11 right-angle limit switch #7
- #12 left-angle limit switch #8
- #13 right/left relay RELAY 2
- #14 manual/automatic angle switch
- #15 right/left angle valve
- #16 on/off/release switch
- #17 master switch
- #18 switch #5 on elevator that holds relay closed until turrett switch #4 has time to close
- #19 solid state relay RELAY 4
- RL release throw arm
- ON activates machine
- P pump motor
- L1 line one
- L2 line two
- AU automatic
- M manual
- R right
- L left
- A throw arm
- T turrett

PAT TRAP - Wiring Diagram